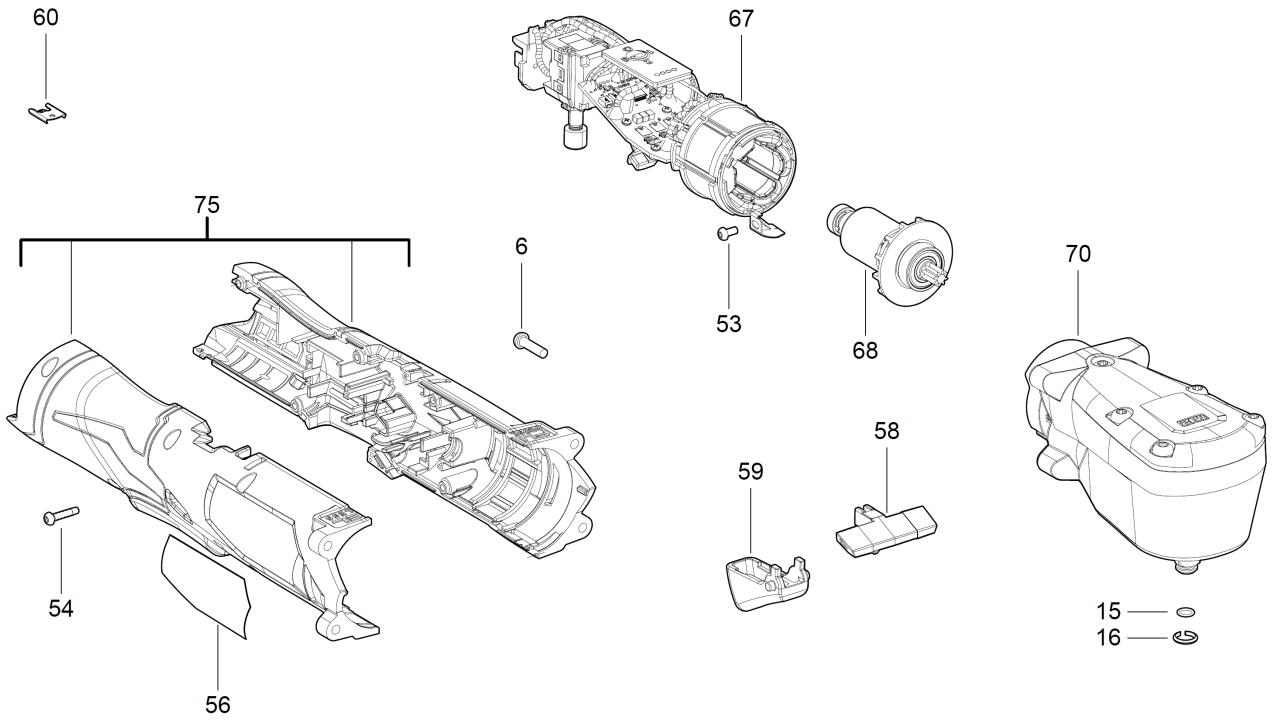


M12FRAIWF12-0 A. IMPACT WRENCH-1/2

4933471699 - M12FRAIWF12-0 - 4000477268







Position	Quantity	Description	Part number	EAN
0006	4	SCREW	4931454363	4002395285532
0015	1	O-RING	4931416492	4002395898367
0016	1	CIRCLIP	4931416493	4002395898374
0053	1	SCREW	4931466813	4058546280307
0054	5	SCREW	660570005	4002395827329
0056	1	RATING PLATE	4931473240	4058546335427
0058	1	LEVER	4931473241	4058546335434
0059	1	COVER	4931473242	4058546335441
0060	1	CONNECTOR	4931436292	4002395252909
0067	1	SWITCH ASSEMBLY	4931473243	4058546335458
0068	1	ARMATURE	4931473244	4058546335465
0070	1	GEAR KIT	4931473245	4058546335472
0075	1	HOUSING	4931473246	4058546335489